

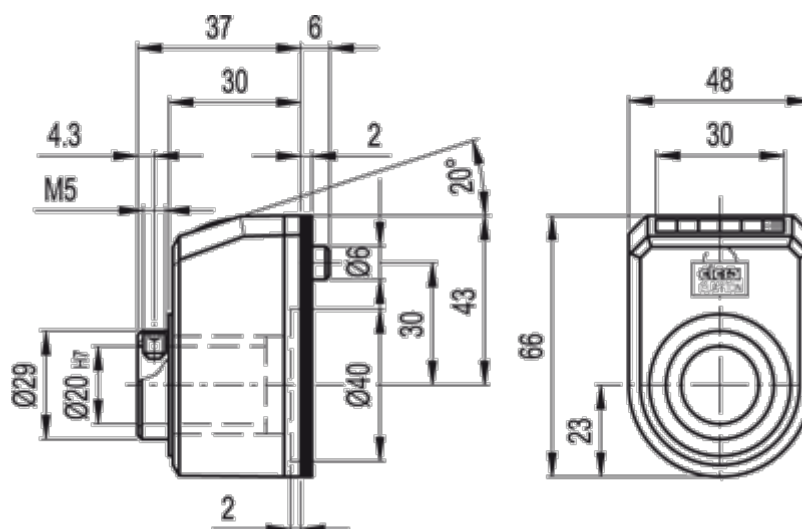
Data Sheet



Article number: 2307083711

Description: E+G Direct drive position indikator
DD52R-FR-0003.0-D-C3 (Grey)

Measures



Max rpm = 830